

Chain-On-Edge Spindle Conveyor

Precision Coater

*PCT'S Precision Coater is a small to medium sized parts Finishing System Complete with Chain-On-Edge Spindle Conveyor, Product Rotator, Spray Booth and System Control Panel.
(Fluid Application / Supply Equipment and optional Drying Oven sold separately.)*

System Features:

Heavy Duty 1 1/2" double pitch Chain-On-Edge Spindle Conveyor. Included is PCT's exclusive "V"-wheel and spindle assembly stabilizing guide bearing design, electric gearmotor drive and manually adjusted chain tensioner. Select continuous running, index cycling or both conveyor operations with a variety of speed ranges.

Positive engagement chain-type powered product rotator with an electric explosion proof gearmotor, variable frequency drive and chain tensioner. Optional adjustable spray gun mounting bar available.

Dry filter spray booth, 4'-0" wide with (4) 20" x 20" filter pads, double ring exhaust fan for top or rear discharge, visible draft gauge, and optional work light.

Control Features:

Nema 12 Electrical control panel with the following features:

Conveyor control options include continuous running, indexing or both conveyor operations, variable frequency drive (speed controller), conveyor dwell timer, and a remote adjustable spray gun on or index pulse switch.

Product Rotator controls include a variable frequency drive (speed controller).

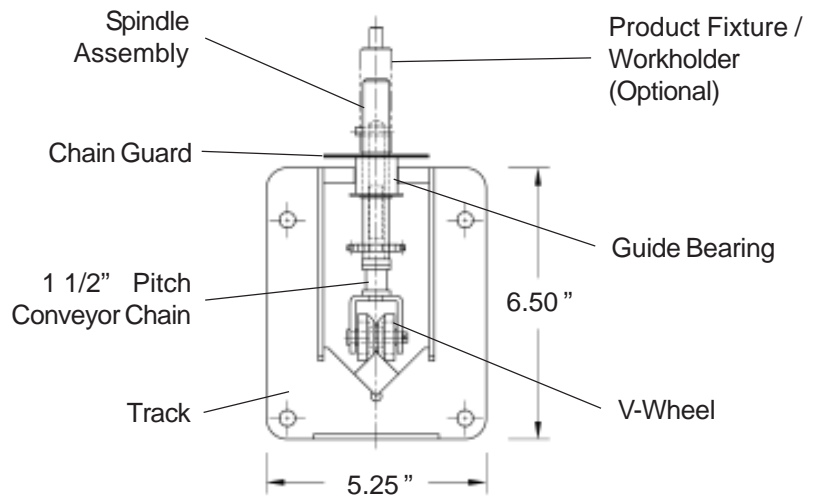
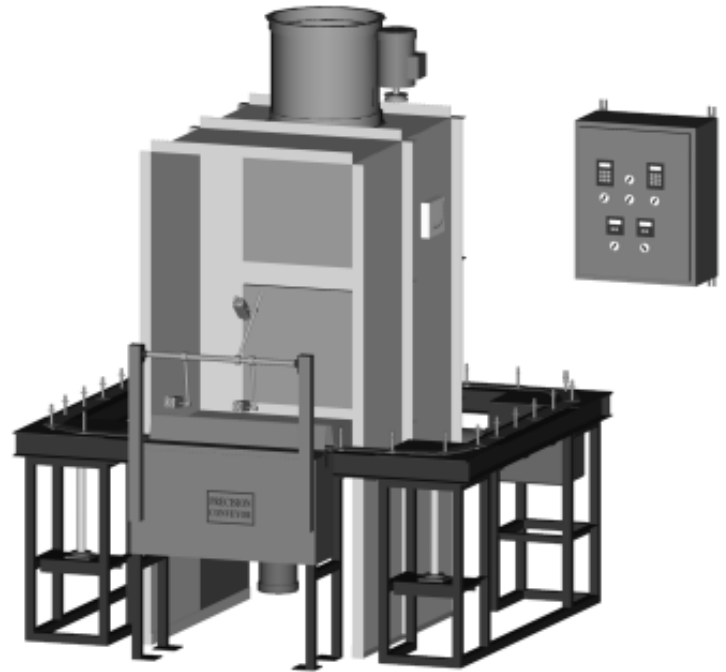
Spray Booth controls include exhaust On-Off selector switch and exhaust airflow switch interlocked with a spray gun actuation valve.

Spray Gun controls include spray gun timer and remote explosion proof actuation valve.

Shipping & Assembly:

The conveyor and product rotator are shipped in sections for easy bolted installation. The spray booth is shipped unassembled and is of bolted construction. The electrical control panel is completely wired, tested and ready for mounting and system wiring.

Installation and operation manual included.
Please allow 3-4 weeks for delivery.



Conveyor Track Section

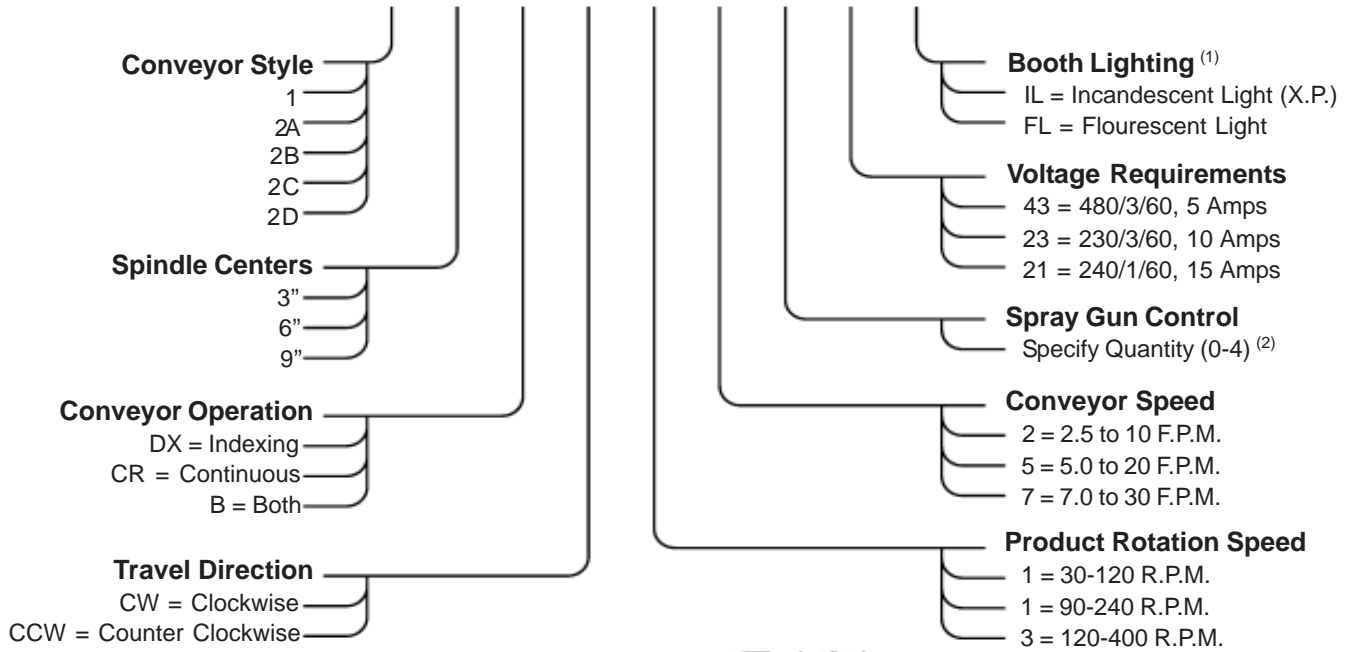
For future expansion and simple assembly, the conveyor is designed with bolted flanged connections.

PRECISION CONVEYOR TECHNOLOGIES

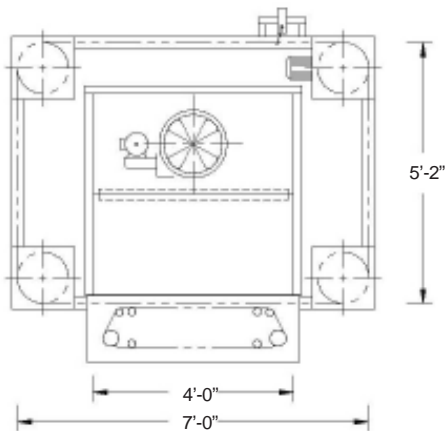
At Precision Conveyor Technologies we engineer and manufacture conveyor systems and specialized processing equipment for the coating and finishing industry. Chain-On-Edge Conveyors, custom fixturing & work holders, ovens, automatic loading & unloading are just a few of our turnkey system capabilities.

Accurate Product Presentation for Precise Fluid Application

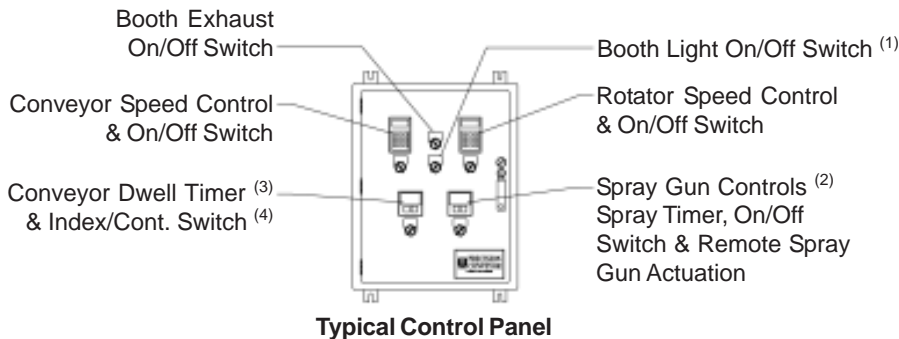
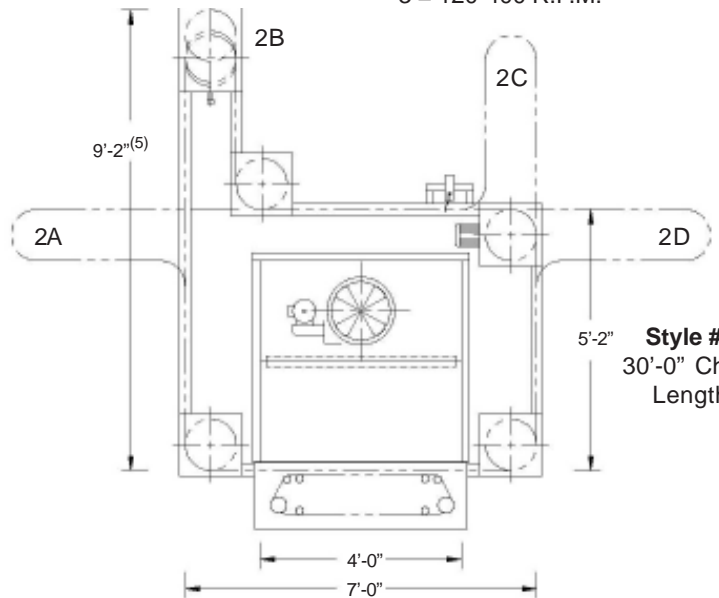
PC - 150 - 2A - 6 - DX - CW - 2 - 2 - 1 - 21 - IL (example part number)



Style #1
23'-6" Chain Length



Style #2
30'-0" Chain Length



(1) - Booth lighting is not required, leave field blank.
 (2) - One spray gun control option can control multiple spray guns if all guns operate simultaneously. Due to the wide variety available, spray equipment is sold separately, consult factory for more information. This option includes adjustable spray gun mounting bar.
 (3) - Included with options DX & B only.
 (4) - Included with option B only.
 (5) - Additional conveyor length available, consult factory for more information.

Note: Spray booth is designed expressly for the removal of particulate matter only. Reduction of "volatile organic materials" require either coating reformulation or optional additional equipment. Refer to local codes before installation.



Precision Conveyor Technologies, Inc.
 A Division of PCT Industries
 3785 Lane Road - Perry, Ohio 44081
 Ph: (440) 352-6100 - Fx: (440) 352-6123
 sales@precisionconveyor.com
 www.precisionconveyor.com